

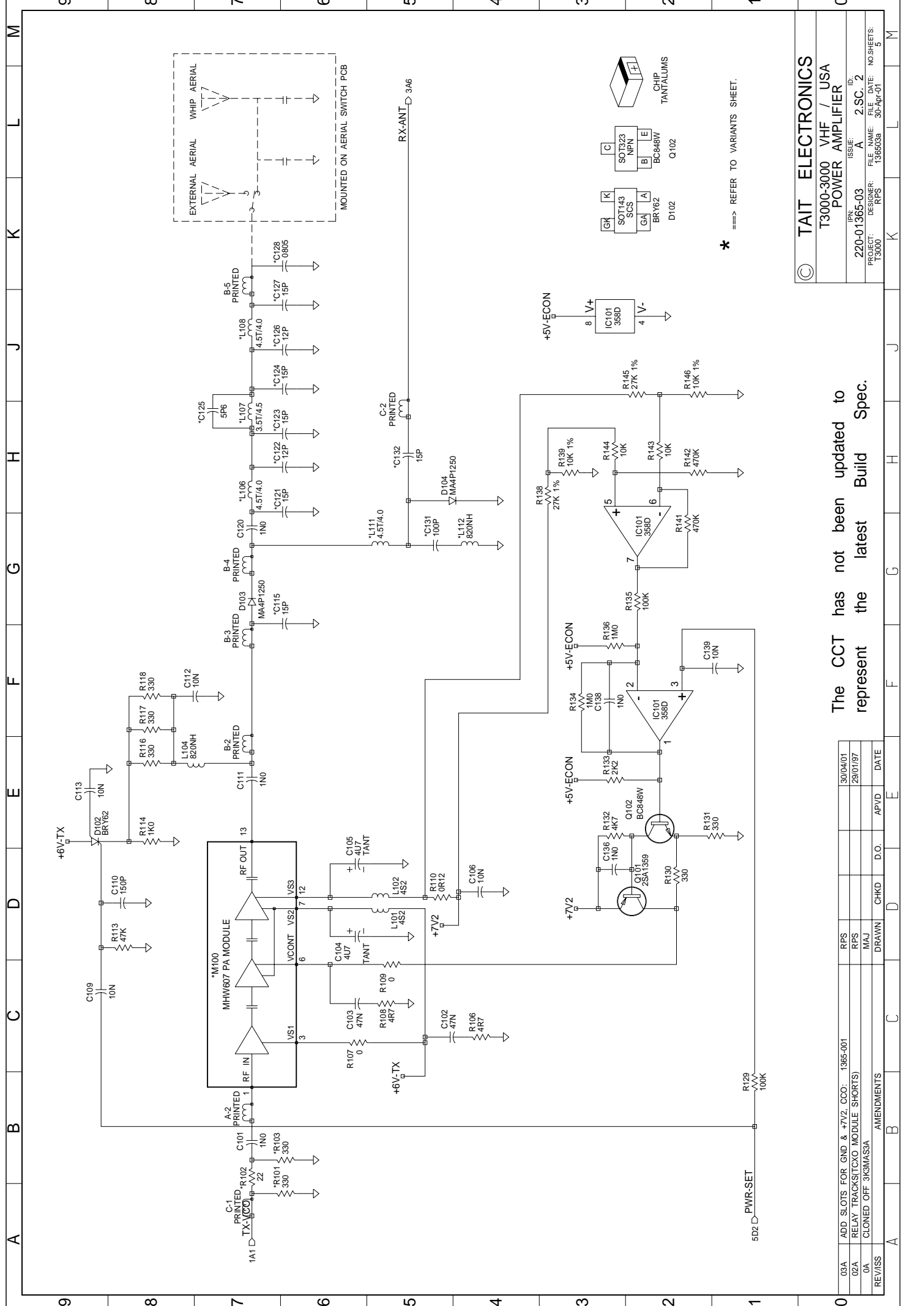
The CCT has not been updated to represent the latest Build Spec.

03A	ADD SLOTS FOR GND & +7V2, CCO:	1365-001	RPS			30/04/01
02A	RELAY TRACKS(TCXO MODULE SHORTS)		RPS			05/02/97
0A	CLONED OFF 3K3MAS3A		MAJ			
REV/ISS	AMENDMENTS		DRAWN	CHKD	D.O.	APVD DATE



© TAIT ELECTRONICS
 T3000-3000 VHF / USA
 SYNTHESISER

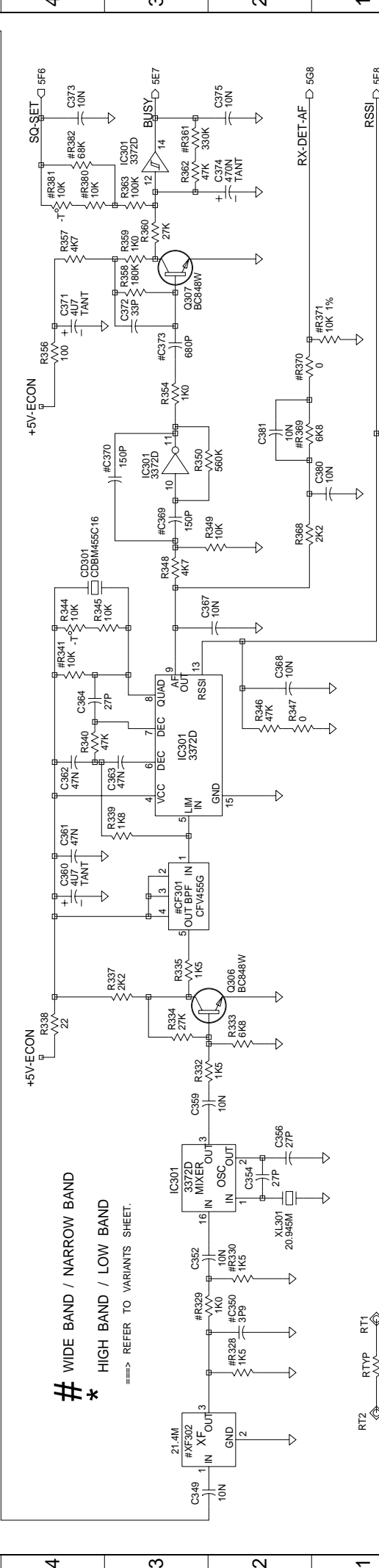
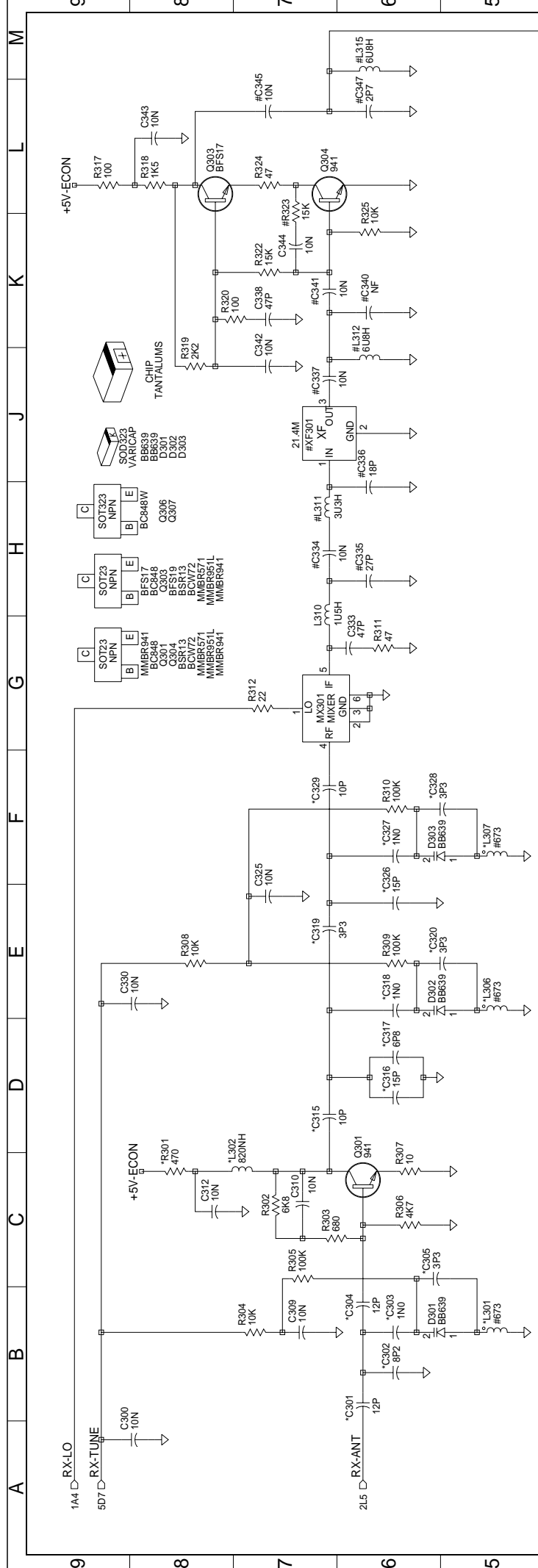
IPN: 220-01365-03	ISSUE: A	ID: 2.SC. 1
PROJECT: T3000	DESIGNER: RPS	FILE NAME: 136503a
	FILE DATE: 30-Apr-01	NO.SHEETS: 5



© TAIT ELECTRONICS
 T3000-3000 VHF / USA
 POWER AMPLIFIER
 IRN: 220-01365-03 ISSUE: A 2 SC 2
 PROJECT: 13000 DESIGNER: FILE NAME: NO SHEETS:
 RPS: 13650338 DATE: 30-Apr-01 5

The CCT has not been updated to
 represent the latest Build Spec.

REV/ISS	AMENDMENTS	CHKD	D.O.	APVD	DATE
03A	ADD SLOTS FOR GND & +7V2. CCO: 1365-001	RPS			30/04/01
02A	RELAY TRACKS(TCXO MODULE SHORTS)	RPS			29/01/97
0A	CLONED OFF 3K3M33A	MAJ			



* WIDE BAND / NARROW BAND HIGH BAND / LOW BAND
 ==> REFER TO VARIANTS SHEET.

RT2 RTYP RT1
 RS2 RSPEC RS1
 0805 0805

C383 PLACED IN THE SYNTHCOMPARTMENT

The CCT has not been updated to represent the latest Build Spec.

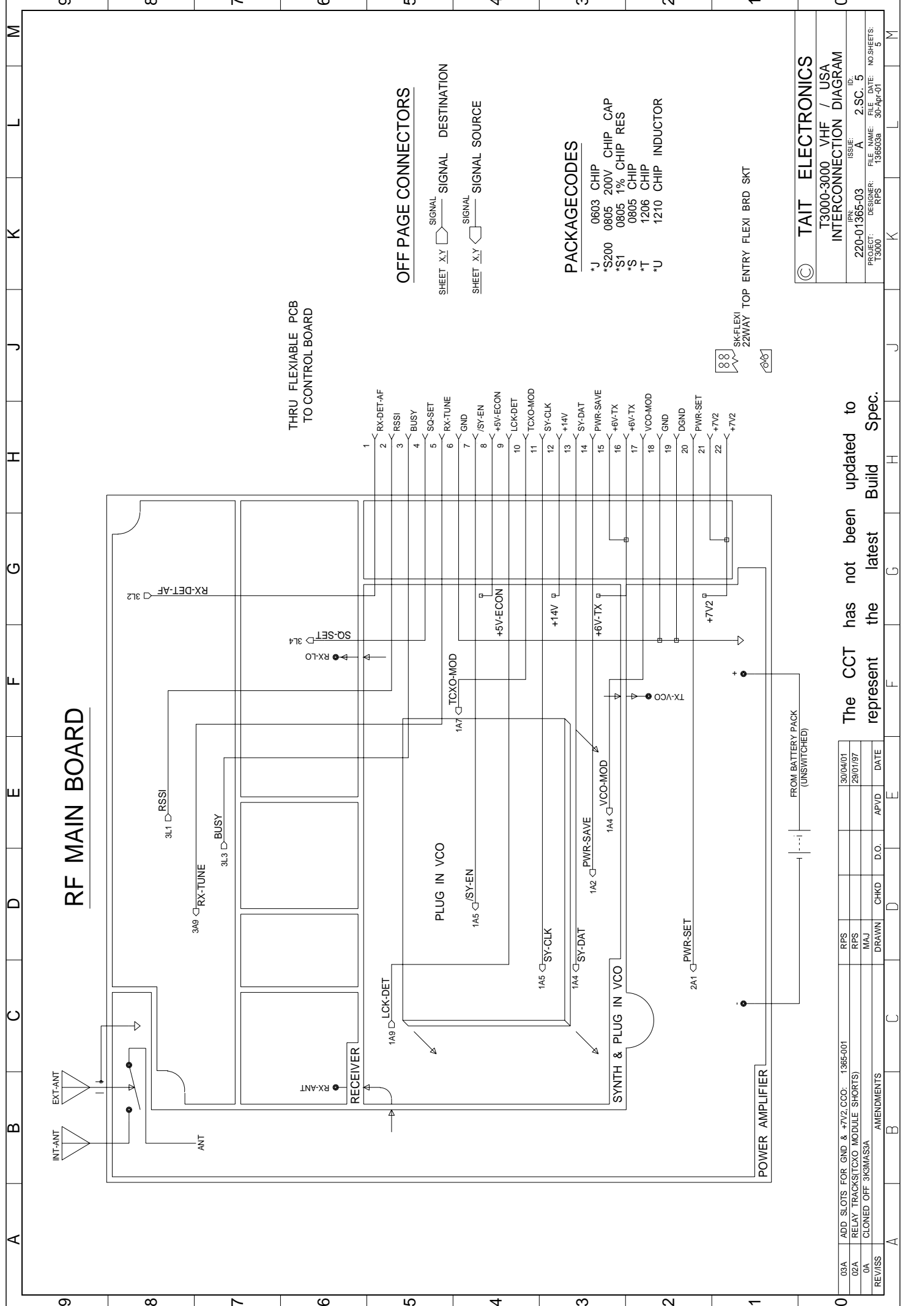
TAIT ELECTRONICS
T3000-3000 VHF / USA RECEIVER

IRN: 220-01365-03
 PROJECT: RPS
 DESIGNER: 13000

ISSUE: A
 FILE NAME: 2 SC_3
 DATE: 30-Apr-01

REV/ISS	AMENDMENTS	DRAWN	CHKD	D.O.	APVD	DATE
03A	ADD SLOTS FOR GND & +7V2.CC.	RPS				30/04/01
02A	RELAY TRACKS(TCXO MODULE SHORTS)	RPS				29/01/97
0A	CLONED OFF 3K3M3S3A	MAJ				

9	A	B	C	D	E	F	G	H	J	K	L	M																																																																	
9	<p style="text-align: center;">P.A.</p> <p>* LOW BAND / HIGH BAND -31X3 -32X3 -41X3 -42X3</p>																																																																												
8	<p style="text-align: center;">SYNTHESISER</p> <p>* LOW BAND / HIGH BAND -31X3 -32X3 -41X3 -42X3</p>																																																																												
7	<p style="text-align: center;">RECEIVER</p> <p>* LOW BAND / HIGH BAND -31X3 -41X3 -32X3 -42X3</p>																																																																												
6	<p style="text-align: center;">PACKAGECODES</p> <p>*J 0603 CHIP *S200 0805 200V CHIP CAP *S1 0805 1% CHIP RES *S 0805 CHIP *T 1206 CHIP *U 1210 CHIP INDUCTOR</p>																																																																												
5	<table border="1"> <thead> <tr> <th>FREQ. MHZ</th> <th>*C115</th> <th>*C121</th> <th>*C122</th> <th>*C123</th> <th>*C124</th> <th>*C125</th> <th>*C126</th> <th>*C127</th> <th>*C128</th> <th>*C131</th> <th>*C132</th> </tr> </thead> <tbody> <tr> <td>T3000-31X3</td> <td>136-154</td> <td>15PS200</td> <td>12PS200</td> <td>15PS200</td> <td>15PS200</td> <td>15PS200</td> <td>12PS200</td> <td>15PS200</td> <td>15PS200</td> <td>100PJ</td> <td>15PJ</td> </tr> <tr> <td>T3000-32X3</td> <td>146-174</td> <td>15PS200</td> <td>12PS200</td> <td>15PS200</td> <td>15PS200</td> <td>15PS200</td> <td>12PS200</td> <td>15PS200</td> <td>15PS200</td> <td>100PJ</td> <td>15PJ</td> </tr> <tr> <td>T3000-41X3</td> <td>174-195</td> <td>12PS200</td> <td>12PS200</td> <td>6P8S200</td> <td>15PS200</td> <td>15PS200</td> <td>6P8S200</td> <td>12PS200</td> <td>12PS200</td> <td>12PJ</td> <td>12PJ</td> </tr> <tr> <td>T3000-42X3</td> <td>184-208</td> <td>12PS200</td> <td>12PS200</td> <td>6P8S200</td> <td>15PS200</td> <td>15PS200</td> <td>6P8S200</td> <td>12PS200</td> <td>12PS200</td> <td>12PJ</td> <td>12PJ</td> </tr> </tbody> </table>												FREQ. MHZ	*C115	*C121	*C122	*C123	*C124	*C125	*C126	*C127	*C128	*C131	*C132	T3000-31X3	136-154	15PS200	12PS200	15PS200	15PS200	15PS200	12PS200	15PS200	15PS200	100PJ	15PJ	T3000-32X3	146-174	15PS200	12PS200	15PS200	15PS200	15PS200	12PS200	15PS200	15PS200	100PJ	15PJ	T3000-41X3	174-195	12PS200	12PS200	6P8S200	15PS200	15PS200	6P8S200	12PS200	12PS200	12PJ	12PJ	T3000-42X3	184-208	12PS200	12PS200	6P8S200	15PS200	15PS200	6P8S200	12PS200	12PS200	12PJ	12PJ					
FREQ. MHZ	*C115	*C121	*C122	*C123	*C124	*C125	*C126	*C127	*C128	*C131	*C132																																																																		
T3000-31X3	136-154	15PS200	12PS200	15PS200	15PS200	15PS200	12PS200	15PS200	15PS200	100PJ	15PJ																																																																		
T3000-32X3	146-174	15PS200	12PS200	15PS200	15PS200	15PS200	12PS200	15PS200	15PS200	100PJ	15PJ																																																																		
T3000-41X3	174-195	12PS200	12PS200	6P8S200	15PS200	15PS200	6P8S200	12PS200	12PS200	12PJ	12PJ																																																																		
T3000-42X3	184-208	12PS200	12PS200	6P8S200	15PS200	15PS200	6P8S200	12PS200	12PS200	12PJ	12PJ																																																																		
4	<table border="1"> <thead> <tr> <th>FREQ. MHZ</th> <th>*L106</th> <th>*L107</th> <th>*L108</th> <th>*L111</th> <th>*L112</th> <th>*R101</th> <th>*R102</th> <th>*R103</th> <th>*M100</th> </tr> </thead> <tbody> <tr> <td>T3000-31X3</td> <td>45H40A</td> <td>35H45A</td> <td>45H40A</td> <td>45H40A</td> <td>820NHU2</td> <td>330J</td> <td>22J</td> <td>330J</td> <td>MHW607-1</td> </tr> <tr> <td>T3000-32X3</td> <td>55H30A</td> <td>35H35A</td> <td>45H35A</td> <td>35H45A</td> <td>820NHU2</td> <td>330J</td> <td>22J</td> <td>330J</td> <td>MHW607-2</td> </tr> <tr> <td>T3000-41X3</td> <td>45H30A</td> <td>55H25A</td> <td>35H40A</td> <td>35H40A</td> <td>330NHU</td> <td>150J</td> <td>47J</td> <td>150J</td> <td>MHW607-3</td> </tr> <tr> <td>T3000-42X3</td> <td>45H30A</td> <td>55H25A</td> <td>35H40A</td> <td>35H40A</td> <td>330NHU</td> <td>150J</td> <td>47J</td> <td>150J</td> <td>MHW607-4</td> </tr> </tbody> </table>												FREQ. MHZ	*L106	*L107	*L108	*L111	*L112	*R101	*R102	*R103	*M100	T3000-31X3	45H40A	35H45A	45H40A	45H40A	820NHU2	330J	22J	330J	MHW607-1	T3000-32X3	55H30A	35H35A	45H35A	35H45A	820NHU2	330J	22J	330J	MHW607-2	T3000-41X3	45H30A	55H25A	35H40A	35H40A	330NHU	150J	47J	150J	MHW607-3	T3000-42X3	45H30A	55H25A	35H40A	35H40A	330NHU	150J	47J	150J	MHW607-4															
FREQ. MHZ	*L106	*L107	*L108	*L111	*L112	*R101	*R102	*R103	*M100																																																																				
T3000-31X3	45H40A	35H45A	45H40A	45H40A	820NHU2	330J	22J	330J	MHW607-1																																																																				
T3000-32X3	55H30A	35H35A	45H35A	35H45A	820NHU2	330J	22J	330J	MHW607-2																																																																				
T3000-41X3	45H30A	55H25A	35H40A	35H40A	330NHU	150J	47J	150J	MHW607-3																																																																				
T3000-42X3	45H30A	55H25A	35H40A	35H40A	330NHU	150J	47J	150J	MHW607-4																																																																				
3	<table border="1"> <thead> <tr> <th>FREQ. MHZ</th> <th>*L301</th> <th>*L302</th> <th>*L306</th> <th>*L307</th> <th>*R301</th> </tr> </thead> <tbody> <tr> <td>T3000-31X3</td> <td>136-154</td> <td>673</td> <td>820NHU2</td> <td>673</td> <td>470S</td> </tr> <tr> <td>T3000-32X3</td> <td>146-174</td> <td>672</td> <td>820NHU2</td> <td>672</td> <td>470S</td> </tr> <tr> <td>T3000-41X3</td> <td>174-195</td> <td>671</td> <td>330NHU</td> <td>671</td> <td>560S</td> </tr> <tr> <td>T3000-42X3</td> <td>184-208</td> <td>671</td> <td>330NHU</td> <td>671</td> <td>560S</td> </tr> </tbody> </table>												FREQ. MHZ	*L301	*L302	*L306	*L307	*R301	T3000-31X3	136-154	673	820NHU2	673	470S	T3000-32X3	146-174	672	820NHU2	672	470S	T3000-41X3	174-195	671	330NHU	671	560S	T3000-42X3	184-208	671	330NHU	671	560S																																			
FREQ. MHZ	*L301	*L302	*L306	*L307	*R301																																																																								
T3000-31X3	136-154	673	820NHU2	673	470S																																																																								
T3000-32X3	146-174	672	820NHU2	672	470S																																																																								
T3000-41X3	174-195	671	330NHU	671	560S																																																																								
T3000-42X3	184-208	671	330NHU	671	560S																																																																								
2	<p># DUAL BAND -XX03 WIDE BAND NARROWBAND GERMANBAND -XX23</p>																																																																												
1	<table border="1"> <thead> <tr> <th>#BANDWIDTH</th> <th>#C334</th> <th>#C335</th> <th>#C336</th> <th>#C337</th> <th>#C340</th> <th>#C341</th> <th>#C345</th> <th>#C347</th> <th>#C350</th> <th>#C359</th> <th>#C370</th> <th>#C373</th> </tr> </thead> <tbody> <tr> <td>T3000-XX23</td> <td>7.5KHZ</td> <td>10NJ</td> <td>27PJ</td> <td>18PJ</td> <td>10NJ</td> <td>10NJ</td> <td>10NJ</td> <td>27PJ</td> <td>3P9J</td> <td>150PS</td> <td>150PS</td> <td>680PS</td> </tr> <tr> <td>T3000-XX13</td> <td>15KHZ</td> <td>100PJ</td> <td>27PJ</td> <td>12PJ</td> <td>10NJ</td> <td>22PJ</td> <td>10PJ</td> <td>3P3J</td> <td>120PS</td> <td>120PS</td> <td>180PS</td> <td>180PS</td> </tr> <tr> <td>T3000-XX33</td> <td>12KHZ</td> <td>10NJ</td> <td>27PJ</td> <td>15PJ</td> <td>10NJ</td> <td>10NJ</td> <td>10NJ</td> <td>1P8J</td> <td>2P7J</td> <td>120PS</td> <td>120PS</td> <td>180PS</td> </tr> <tr> <td>T3000-XX03</td> <td>DUAL</td> <td>10NJ</td> <td>27PJ</td> <td>18PJ</td> <td>10NJ</td> <td>10NJ</td> <td>10NJ</td> <td>2P7J</td> <td>3P9J</td> <td>120PS</td> <td>120PS</td> <td>680PS</td> </tr> </tbody> </table>												#BANDWIDTH	#C334	#C335	#C336	#C337	#C340	#C341	#C345	#C347	#C350	#C359	#C370	#C373	T3000-XX23	7.5KHZ	10NJ	27PJ	18PJ	10NJ	10NJ	10NJ	27PJ	3P9J	150PS	150PS	680PS	T3000-XX13	15KHZ	100PJ	27PJ	12PJ	10NJ	22PJ	10PJ	3P3J	120PS	120PS	180PS	180PS	T3000-XX33	12KHZ	10NJ	27PJ	15PJ	10NJ	10NJ	10NJ	1P8J	2P7J	120PS	120PS	180PS	T3000-XX03	DUAL	10NJ	27PJ	18PJ	10NJ	10NJ	10NJ	2P7J	3P9J	120PS	120PS	680PS
#BANDWIDTH	#C334	#C335	#C336	#C337	#C340	#C341	#C345	#C347	#C350	#C359	#C370	#C373																																																																	
T3000-XX23	7.5KHZ	10NJ	27PJ	18PJ	10NJ	10NJ	10NJ	27PJ	3P9J	150PS	150PS	680PS																																																																	
T3000-XX13	15KHZ	100PJ	27PJ	12PJ	10NJ	22PJ	10PJ	3P3J	120PS	120PS	180PS	180PS																																																																	
T3000-XX33	12KHZ	10NJ	27PJ	15PJ	10NJ	10NJ	10NJ	1P8J	2P7J	120PS	120PS	180PS																																																																	
T3000-XX03	DUAL	10NJ	27PJ	18PJ	10NJ	10NJ	10NJ	2P7J	3P9J	120PS	120PS	680PS																																																																	
0	<table border="1"> <thead> <tr> <th>BANDWIDTH</th> <th>#R323</th> <th>#R328</th> <th>#R329</th> <th>#R330</th> <th>#R341</th> <th>#R361</th> <th>#R369</th> <th>#R370</th> <th>#R371</th> <th>#R380</th> <th>#R381</th> <th>#R382</th> </tr> </thead> <tbody> <tr> <td>T3000-XX23</td> <td>7.5KHZ</td> <td>15KJ</td> <td>1K5J</td> <td>1K5J</td> <td>10KJ</td> <td>330KS</td> <td>6KS</td> <td>OS</td> <td>10KS1</td> <td>10KJ</td> <td>10KSNTC</td> <td>68KS</td> </tr> <tr> <td>T3000-XX13</td> <td>15KHZ</td> <td>10KJ</td> <td>3K3J</td> <td>4K7J</td> <td>4K7J</td> <td>560KS</td> <td>4K7S</td> <td>1K5S</td> <td>10KS1</td> <td>10KJ</td> <td>10KSNTC</td> <td>22KS</td> </tr> <tr> <td>T3000-XX33</td> <td>12KHZ</td> <td>15KJ</td> <td>1K5J</td> <td>1K5J</td> <td>6K8J</td> <td>820KS</td> <td>6K8S</td> <td>4K7S</td> <td>10KS1</td> <td>10KJ</td> <td>10KSNTC</td> <td>47KS</td> </tr> <tr> <td>T3000-XX03</td> <td>DUAL</td> <td>15KJ</td> <td>1K5J</td> <td>1K5J</td> <td>4K7J</td> <td>330KS</td> <td>6KS</td> <td>OS</td> <td>10KS1</td> <td>10KJ</td> <td>10KSNTC</td> <td>68KS</td> </tr> </tbody> </table>												BANDWIDTH	#R323	#R328	#R329	#R330	#R341	#R361	#R369	#R370	#R371	#R380	#R381	#R382	T3000-XX23	7.5KHZ	15KJ	1K5J	1K5J	10KJ	330KS	6KS	OS	10KS1	10KJ	10KSNTC	68KS	T3000-XX13	15KHZ	10KJ	3K3J	4K7J	4K7J	560KS	4K7S	1K5S	10KS1	10KJ	10KSNTC	22KS	T3000-XX33	12KHZ	15KJ	1K5J	1K5J	6K8J	820KS	6K8S	4K7S	10KS1	10KJ	10KSNTC	47KS	T3000-XX03	DUAL	15KJ	1K5J	1K5J	4K7J	330KS	6KS	OS	10KS1	10KJ	10KSNTC	68KS
BANDWIDTH	#R323	#R328	#R329	#R330	#R341	#R361	#R369	#R370	#R371	#R380	#R381	#R382																																																																	
T3000-XX23	7.5KHZ	15KJ	1K5J	1K5J	10KJ	330KS	6KS	OS	10KS1	10KJ	10KSNTC	68KS																																																																	
T3000-XX13	15KHZ	10KJ	3K3J	4K7J	4K7J	560KS	4K7S	1K5S	10KS1	10KJ	10KSNTC	22KS																																																																	
T3000-XX33	12KHZ	15KJ	1K5J	1K5J	6K8J	820KS	6K8S	4K7S	10KS1	10KJ	10KSNTC	47KS																																																																	
T3000-XX03	DUAL	15KJ	1K5J	1K5J	4K7J	330KS	6KS	OS	10KS1	10KJ	10KSNTC	68KS																																																																	
0	<table border="1"> <thead> <tr> <th>BANDWIDTH</th> <th>#L311</th> <th>#L312</th> <th>#L315</th> <th>#L315</th> <th>#XF301</th> <th>#XF302</th> <th>#CF301</th> </tr> </thead> <tbody> <tr> <td>T3000-XX23</td> <td>33NHU</td> <td>309HU2</td> <td>6U8HU2</td> <td>6U8HU2</td> <td>21N7.5A</td> <td>21N7.5A</td> <td>CFV455G</td> </tr> <tr> <td>T3000-XX13</td> <td>15KHZ</td> <td>820NHU2</td> <td>6U8HU2</td> <td>6U8HU2</td> <td>21N15A</td> <td>21N15A</td> <td>CFV455D</td> </tr> <tr> <td>T3000-XX33</td> <td>DUAL</td> <td>33NHU</td> <td>6U8HU2</td> <td>6U8HU2</td> <td>21N12A</td> <td>21N12A</td> <td>CFV455E</td> </tr> <tr> <td>T3000-XX03</td> <td>DUAL</td> <td>33NHU</td> <td>6U8HU2</td> <td>6U8HU2</td> <td>21N7.5A</td> <td>21N7.5A</td> <td>CFV455G</td> </tr> </tbody> </table>												BANDWIDTH	#L311	#L312	#L315	#L315	#XF301	#XF302	#CF301	T3000-XX23	33NHU	309HU2	6U8HU2	6U8HU2	21N7.5A	21N7.5A	CFV455G	T3000-XX13	15KHZ	820NHU2	6U8HU2	6U8HU2	21N15A	21N15A	CFV455D	T3000-XX33	DUAL	33NHU	6U8HU2	6U8HU2	21N12A	21N12A	CFV455E	T3000-XX03	DUAL	33NHU	6U8HU2	6U8HU2	21N7.5A	21N7.5A	CFV455G																									
BANDWIDTH	#L311	#L312	#L315	#L315	#XF301	#XF302	#CF301																																																																						
T3000-XX23	33NHU	309HU2	6U8HU2	6U8HU2	21N7.5A	21N7.5A	CFV455G																																																																						
T3000-XX13	15KHZ	820NHU2	6U8HU2	6U8HU2	21N15A	21N15A	CFV455D																																																																						
T3000-XX33	DUAL	33NHU	6U8HU2	6U8HU2	21N12A	21N12A	CFV455E																																																																						
T3000-XX03	DUAL	33NHU	6U8HU2	6U8HU2	21N7.5A	21N7.5A	CFV455G																																																																						
0	<p style="text-align: center;">The CCT has not been updated to represent the latest Build Spec.</p>																																																																												
0	<table border="1"> <tr> <td>03A</td> <td>ADD SLOTS FOR GND & +V2.CC.</td> <td>T385-001</td> <td>RPS</td> <td>30/04/01</td> </tr> <tr> <td>02A</td> <td>RELAY TRACKS(TCXO MODULE SHORTS)</td> <td></td> <td>RPS</td> <td>29/01/97</td> </tr> <tr> <td>0A</td> <td>CLONED OFF 3K3M33A</td> <td></td> <td>MAJ</td> <td></td> </tr> <tr> <td>REV/ISS</td> <td>AMENDMENTS</td> <td></td> <td>DRAWN</td> <td>CHKD</td> </tr> <tr> <td></td> <td></td> <td></td> <td>D.O.</td> <td>APVD</td> </tr> <tr> <td></td> <td></td> <td></td> <td></td> <td>DATE</td> </tr> </table>												03A	ADD SLOTS FOR GND & +V2.CC.	T385-001	RPS	30/04/01	02A	RELAY TRACKS(TCXO MODULE SHORTS)		RPS	29/01/97	0A	CLONED OFF 3K3M33A		MAJ		REV/ISS	AMENDMENTS		DRAWN	CHKD				D.O.	APVD					DATE																																			
03A	ADD SLOTS FOR GND & +V2.CC.	T385-001	RPS	30/04/01																																																																									
02A	RELAY TRACKS(TCXO MODULE SHORTS)		RPS	29/01/97																																																																									
0A	CLONED OFF 3K3M33A		MAJ																																																																										
REV/ISS	AMENDMENTS		DRAWN	CHKD																																																																									
			D.O.	APVD																																																																									
				DATE																																																																									
0	<p style="text-align: center;">© TAIT ELECTRONICS</p> <p style="text-align: center;">T3000-3000 VHF / USA VARIANT COMPONENTS</p> <p>ISSUE: A FILE DATE: 2 SC 4 URN: 220-01365-03 PROJECT: 13000 DESIGNER: RPS NO SHEETS: 5</p>																																																																												



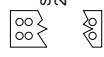
THRU FLEXIBLE PCB
TO CONTROL BOARD

OFF PAGE CONNECTORS



PACKAGECODES

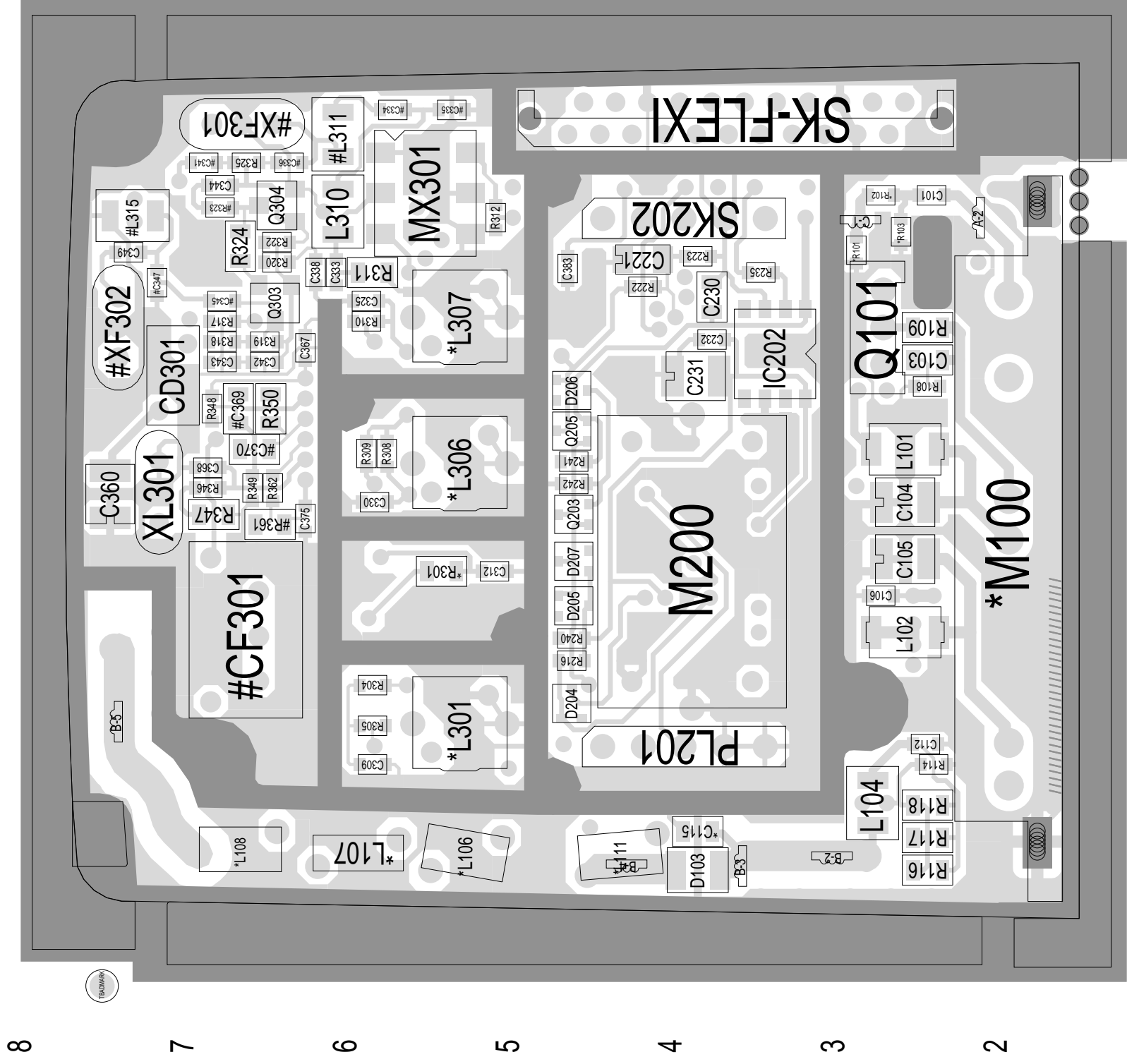
- *J 0603 CHIP
- *S200 0805 200V CHIP CAP
- *S1 0805 1% CHIP RES
- *S 0805 CHIP
- *T 1206 CHIP
- *U 1210 CHIP INDUCTOR



03A	ADD SLOTS FOR GND & +7V2.CC0.	1385-001	RPS	30/04/01
02A	RELAY TRACKS(TCXO MODULE SHORTS)		RPS	29/01/97
0A	CLONED OFF 3K3M33A		MAJ	
REV/ISS	AMENDMENTS	CHKD	D.O.	APVD
			DATE	

The CCT has not been updated to represent the latest Build Spec.

TAIT ELECTRONICS	
T3000-3000 VHF / USA	
INTERCONNECTION DIAGRAM	
BRN	ISSUE: A
220-01365-03	2 SC '5
PROJECT: 13000	FILE DATE: 30-Apr-01
DESIGNER: RPS	NO SHEETS: 5



A B C D E

TAIT ELECTRONICS	IPN: 220-01365-03	ISS: A	ID: 1.1	DATE: 30 Apr 2001
T3K3 USA PCB LAYOUT - TOP SIDE				

Scale: 3:1 Rotation: 0 degrees

8

7

6

5

4

3

2

1



A

B

C

D

E

TAIT ELECTRONICS	IPN: 220-01365-03	ISS: A	ID: 4.BA	DATE: 30 Apr 2001
T3K3 USA PCB LAYOUT - BOTTOM SIDE				

Scale:3:1 Rotation: 0 degrees